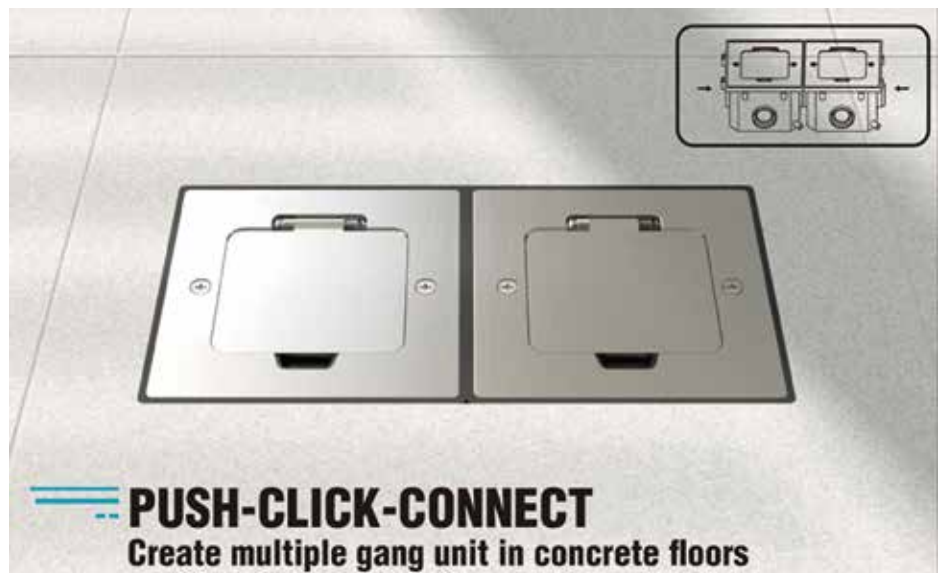
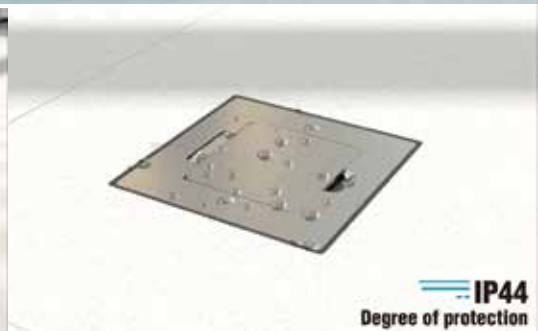
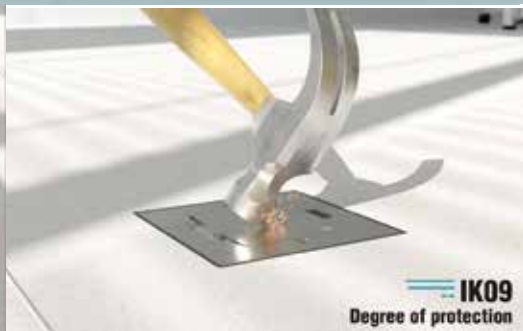


SOP-1 series FLIP-UP mini FLOOR SOCKET






TECHNICAL CHARACTERISTICS

Mechanical characteristics

IP degree of protection	IP44 (in closed status)			
IK degree of protection	IK09 (in closed status)			
Cover opening angle	Up to 180°			
Module	Compatible with Type 45 series module*			
Mounting base box	Square type		Round type	
				
	For concrete floor installation		For raised access floor or wall installation	
Push-click-connect	<p>Create multiple gang unit in concrete floors</p> 			

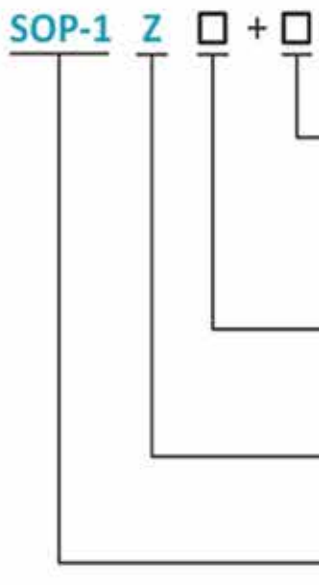
Material characteristics

Finishes	Brushed Nickel	Metallic Silver	Red Copper	Old Brass	Matte Black
					
Material	Zinc alloy		Surface treatment		
Mounting screws	Stainless steel M3*30				
Mounting box	PC+ABS				

Climate characteristics

Storage temperature	-5°C to + 30°C
Operating temperature	-10°C to + 70°C
Cleaning	Do not use detergents.

CLASSIFICATIONS



A represents round mounting box suitable for raised floor and wall installation
C represents square mounting box suitable for concrete floor installation
N: Brushed Nickel, **S**: Metallic Silver,
C: Red Copper, **MB**: Matte Black
 Cover panel material: Zinc Alloy
 Represents the part number



SOP-1ZNA



SOP-1ZSA



SOP-1ZCA



SOP-1ZBA



SOP-1ZMBA



SOP-1ZNC



SOP-1ZSC



SOP-1ZCC



SOP-1ZBC



SOP-1ZMBC

EXEMPLARY MODULE CONFIGURATION

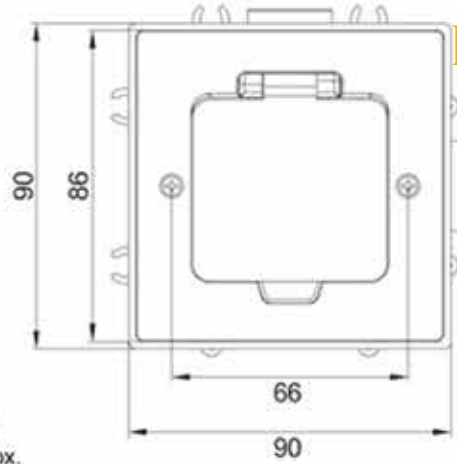
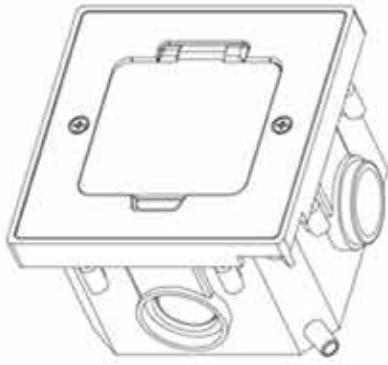


DIMENSIONAL DRAWINGS

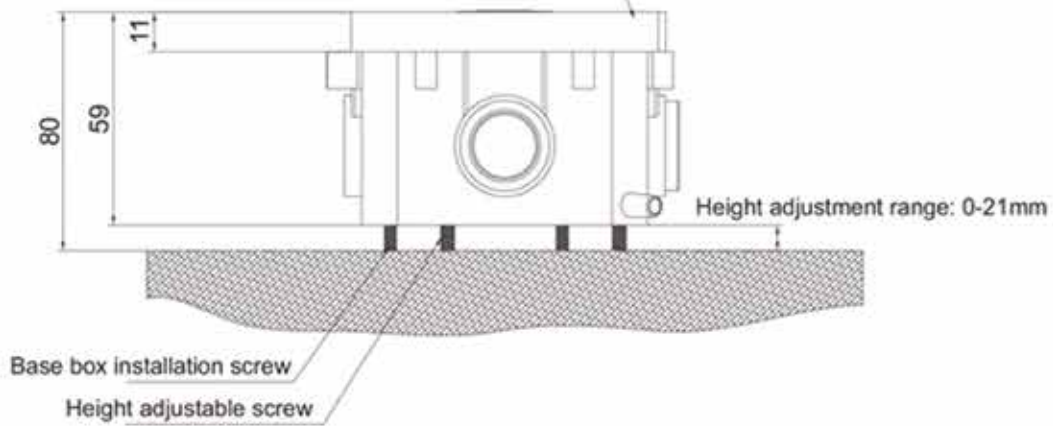


DOUBLE.A

For concrete floors



After installation is complete, the cover panel is flush with panel frame of mounting base box.



For raised access floors

